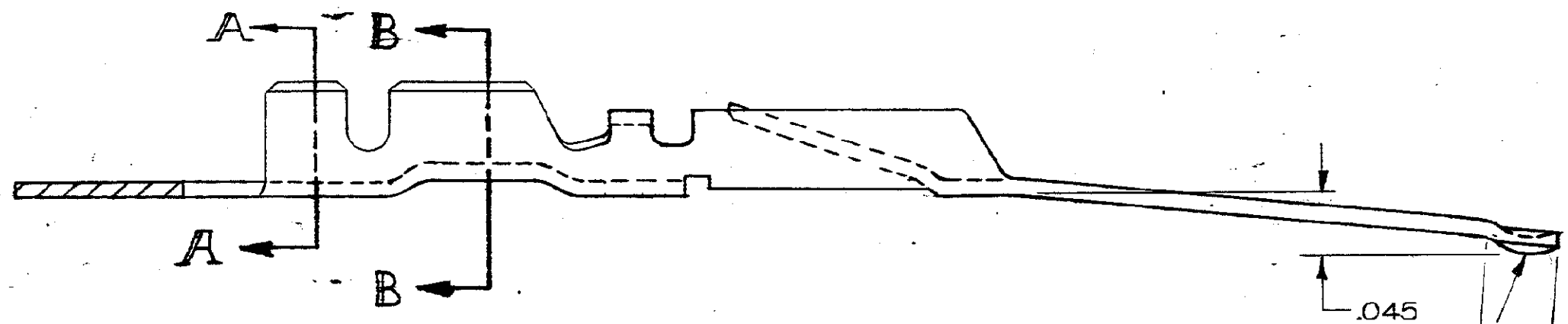
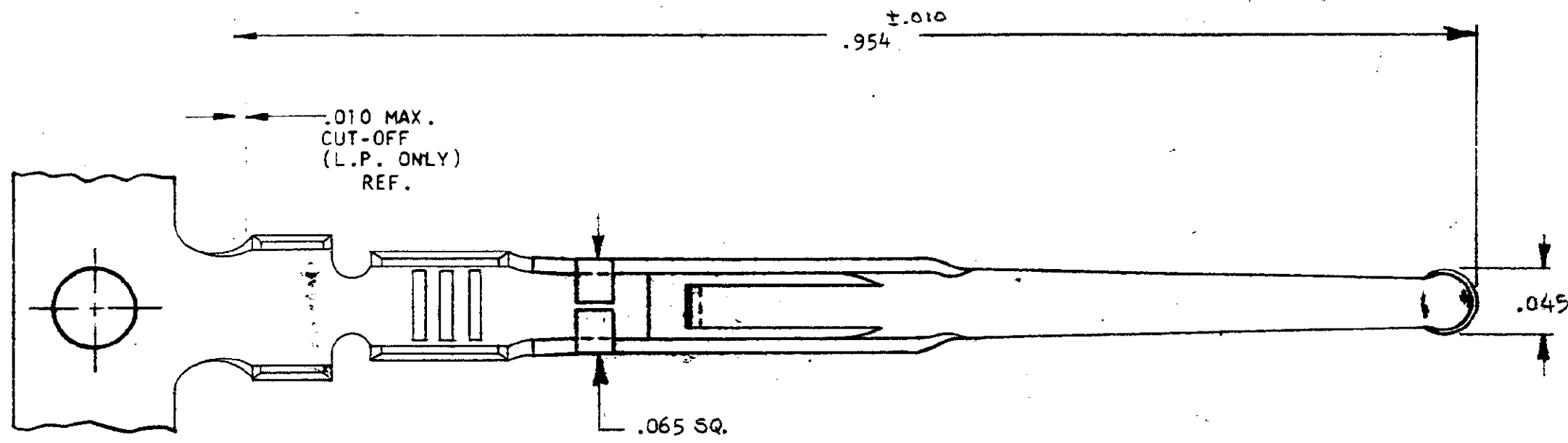


DRAWING MADE IN THIRD ANGLE PROJECTION

© COPYRIGHT AMP INCORPORATED, HARRISBURG, PA. ALL INTERNATIONAL RIGHTS RESERVED. AMP INCORPORATED PRODUCTS COVERED BY U.S. PATENTS AND/OR PATENTS PENDING.

LOC R 39 DIST

REVISIONS				
REV	DATE	DESCRIPTION	DATE	APPROVED
Q	10-4-83	RELEASED WAS 5098-25	10-4-83	DE [Signature]
A	8-6-85	REV. PER ECN R-1387	8-6-85	MPH [Signature]
B	1-14-87	REV. PER ECN R-2586	1-14-87	RL [Signature]
C	1-21-87	OBsolete -4, -5, & -6 / ECN R-2520	1-21-87	MPH [Signature]

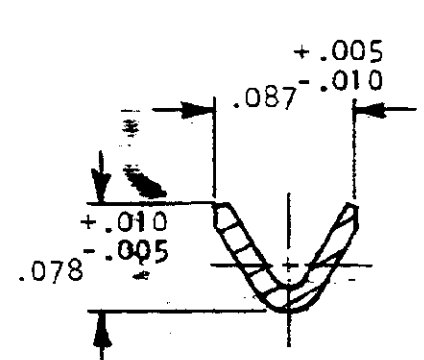


- 66750 -2 1. AS SHOWN Δ
- 3 1. SAME AS -2 EXCEPT:
2. LOOSE PIECE
- OBsolete 1. SAME AS -2 EXCEPT:
2. REVERSE REEL
- OBsolete 1. SAME AS -2 EXCEPT Δ
- OBsolete 1. SAME AS -5 EXCEPT:
2. LOOSE PIECE

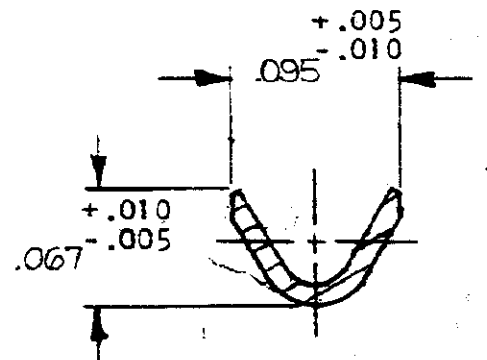
.050 MIN. SELECTIVE GOLD PLATE AREA, CONTACT SIDE ONLY.

PLATING THICKNESS MEASUREMENT POINT

- Δ SELECTIVELY PLATE GOLD PER MIL-G-45204 OVER NICKEL PER QQ-N-290.
- Δ SELECTIVELY PLATE .000050 GOLD PER MIL-G-45204 OVER NICKEL PER QQ-N-290.
- 3. STOCK THICKNESS: .0126+.0005
- 4. MAX INSULATION DIA.: .049 WHEN CONTACT IS LOADED IN STANDARD CR SERIES CAVITY.



SECTION B-B



SECTION A-A

UNLESS OTHERWISE SPECIFIED DIMENSIONS ARE IN INCHES. TOLERANCES ON: DECIMALS \pm .005 ANGLES \pm $\frac{1}{2}$		CONTRACT NO DR EQ Engrd 6-50-80		PART NO	
MATERIAL COPPER ALLOY PER QQ-B-750		CHK 10-18-83 APPD [Signature] 10/18/83		NAME CR ACTIVE CONTACT 24-20 AWG WIRE RANGE	
FINISH SEE DASH NO'S.		DSGN APPD [Signature] 10/21/83		SIZE CODE IDENT NO DRAWING NO C 00779 66750	
		OTHER APPD		SCALE NTS SHEET 1 OF 1	

CUSTOMER DRAWING

66750